

# SHOOTER-IIB

## Hi Speed In-Line Tab Inserter

The **Shooter-IIB** is designed to provide fast, accurate tab insertions at high speeds. The tabber can be mounted to your equipment or be free standing for mobility.

The **Shooter-IIB** accurately inserts paper tabs into the receding delivery pile of sheeters, presses, paper board machines and paper converting equipment.

The **Shooter-IIB** can insert tabs at speeds up to 3 tabs per second. It can easily be connected to your equipment by using a micro switch, universal electronic coupling pick-up or using our infrared reflective opto sensor.

### APPLICATIONS

- In-line batching at high speeds
- Maximize press time and profit
- Stop shortages and overages
- Improve customer satisfaction

### STANDARD FEATURES

- Tab insertion at speeds up to 3 tabs per second.
- Counting speeds equal to your equipment
- Easily connects to your equipment
- Count erase
- Total and batch counts
- Variable knife cut delay
- Variable tape lengths
- Touch pad interface



Approved

MADE IN THE USA

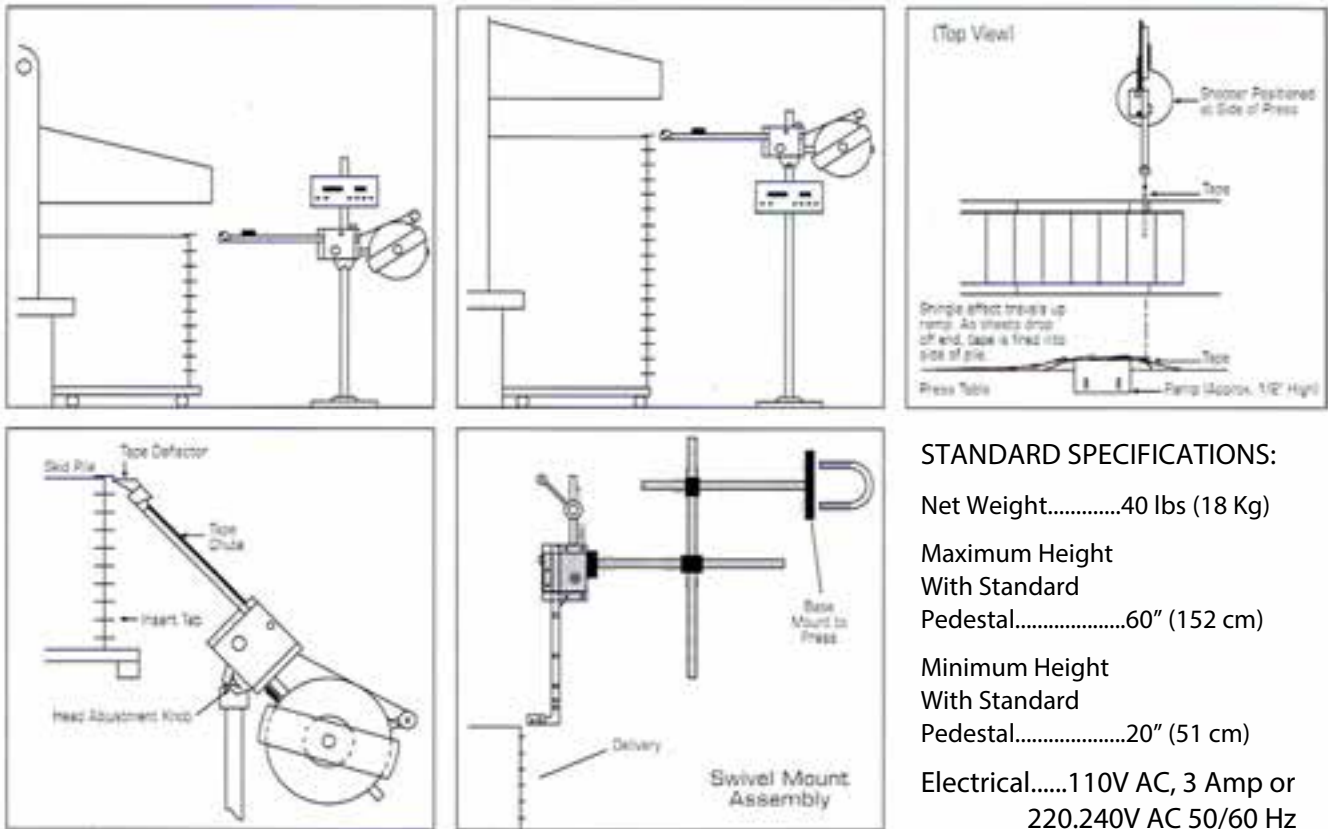


# SHOOTER-IIB

Customize your SHOOTER-IIB to further enhance productivity with these options:

- Infrared Reflective Opto Sensor
- 90° Angle Tape Chute
- Swivel Bracket mount
- Custom Tape Chute Lengths (16" standard, up to 36" available)
- Distribution Box (Allows 3 or more tabbing heads to be operated by one controller)
- Stagger tabbing (Inserting tabs from alternating tabbing heads.)
- Sharp-Shooter Option (spoilage marker / flagger and wireless remote)
- Additional Tabbing Head
- Customized Programming

## Examples of Shooter-IIB Positions



MADE IN THE U.S.A.

Authorized Distributor/Agent:

**U.S. Paper  
Counters**  
Sheet Counting Specialists

**WEXLER**  
"The Banding People"

777-M Schwab Road • Hatfield, PA 19440  
Tel: 215-631-9700 • Fax: 215-631-9705  
www.wexlerpackaging.com