

ROMP-6 SoniXs[®]

Strapping Machine



KEY FEATURES

M

Manual



Standard
6 Sealer



Up To
1650mm
Wide



Up To 58



Optional
Photo Eye



Optional
Pneumatic
Press



Optional
Narrow
Sealer

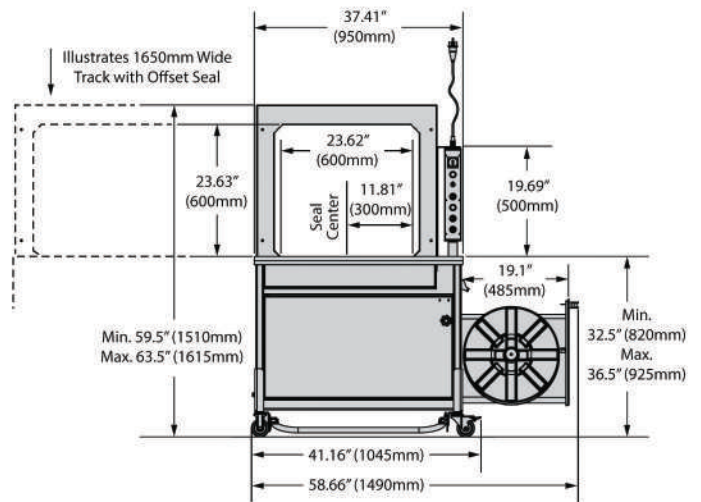
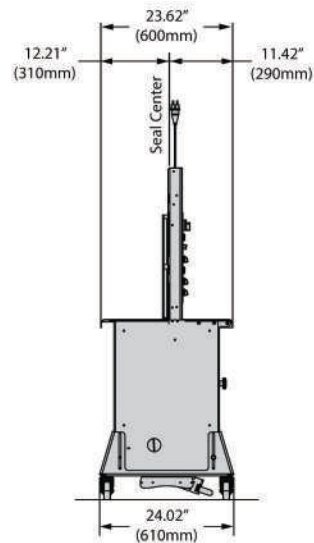
Application: Bundle | Close

The ROMP-6 SoniXs[®] operator cycled machine is available in three convenient configurations with either a stainless-steel table top, belt, or roller, for maximum flexibility combining high-speed with low-cost and reliability. Mosca's proprietary SoniXs[®] ultrasonic sealing technology creates a reliable, strong seal with increased cycle life, no warm up required, reduced cleaning and preventive maintenance.

ROMP-6 SoniXs®

Strapping Machine

PRODUCTION RATE	Up to 58 bundles per minute
TRACK SIZE	500mm x 400mm, 600mm x 600mm, 800mm x 400mm, 800mm x 600mm, 1000mm x 800mm, 1250mm x 600mm, 1250mm x 1000mm, 1650mm x 600mm (Other sizes available on request)
ELECTRICAL	110V - 220V 50/60 Hz, 0.5 kVA
AIR REQUIREMENTS	Pneumatic press option: 3 CFM @87 psi
TABLE	Standard: Stainless steel table top Optional: Cylindrical or ball roller top
TABLE HEIGHT	Standard: 32.25"-36.5" (820mm-925mm) Low: 28.75"-32.85" (730-835mm) (Extra table depth available on request)
STRAPPING	SoniXs® sealer runs PP strap from 5-12mm and select PET straps. Optional heat sealer runs PP strap from 5-12mm.
STRAP TENSION	Infinitely adjustable up to 60 lbs.
STRAP SEAL	SoniXs® Ultrasonic seal with DC brushless direct drive motor
SEAL LOCATION	Center seal up to 800mm track size. Offset 12" from arch corner, control panel side
MACHINE SHIPPING WEIGHT	Approx. 495 Lbs.
CASTERS	Two swivel-lock casters Two fixed casters
ADDITIONAL OPTIONS	<ul style="list-style-type: none"> • Photo Eye (for automatic cycle start) and/or remote pedal activation • Cylindrical or ball roller top • Pneumatic press • Dual Footbars • Heat Sealer (to replace SoniXs® sealer)



Please visit our website for more information about Mosca's SoniXs® technology.



215-631-9700
777-M Schwab Rd
Hatfield, PA 19440
www.wexlerpackaging.com

U.S.A, Latin America and Caribbean:

EAM-Mosca Corporation
 675 Jaycee Drive
 Hazle Township, PA 18202
 800.456.3420
 570.459.3426
 570.455.2442
 info@eammosca.com
 www.eammosca.com

Canada:

EAM-Mosca Canada Ltd.
 170 William Smith Drive
 Whitby, Ontario, L1N 9N3
 800.633.6392
 905.665.8225
 905.665.8188
 info@eammosca.com
 www.eammosca.com