

# TR-6 SoniXs®

Strapping Machine



## KEY FEATURES

**A**

Fully Automatic



Standard 6 Sealer



Up to 1000mm Wide



Up To 40



Optional Pneumatic Press and Backstops

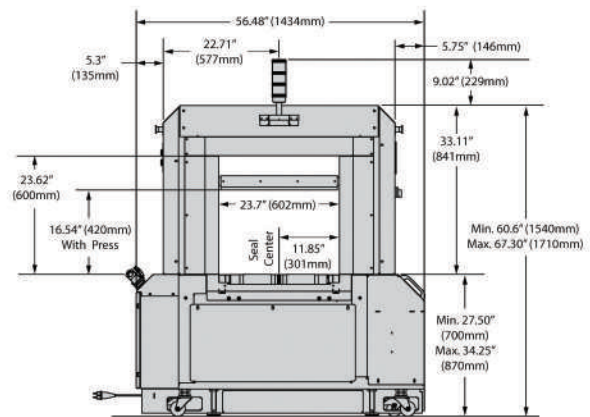
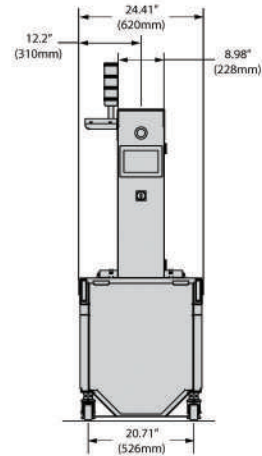
### Application: Bundle | Close

The TR-6 SoniXs® fully automatic strapping machine is available in two convenient configurations, base and pro for maximum flexibility, and combines high-speed with low-cost and reliability. Leading/trailing strap placement options as standard. Mosca's proprietary SoniXs® ultrasonic sealing technology creates a reliable, strong seal with increased cycle life, no warm up required, reduced cleaning and preventive maintenance.

# TR-6 SoniXs<sup>®</sup>

## Strapping Machine

<b>PRODUCTION RATE</b>	Up to 40 bundles per minute
<b>TRACK SIZE</b>	<b>Base:</b> 500mm x 400mm, 600mm x 600mm, 800mm x 600mm <b>Pro:</b> 500mm x 600mm, 600mm x 600mm, 800mm x 600mm, 800mm x 800mm, 1000mm x 1000mm
<b>ELECTRICAL</b>	100-600V, 50/60hz, 1 Ph 0.25 KVA
<b>CONTROLS</b>	<b>Base:</b> Push button panel operator interface (upgrade to Pro controls available) <b>Pro:</b> B&R PLC/HMI with advanced controls
<b>AIR REQUIREMENTS</b>	Pneumatic press option: 3 CFM @87 psi
<b>TABLE</b>	<b>Standard:</b> Belt conveyor 3" between center belts <b>Optional:</b> Roller conveyor
<b>TABLE HEIGHT</b>	<b>Standard:</b> 27.6" (700mm) - 34.3" (870mm) <b>With Risers:</b> 34.3"(870mm) - 40.9" (1040mm)
<b>STRAPPING</b>	SoniXs <sup>®</sup> sealer runs PP strap and select PET strap 5mm, 6mm, 8mm, 9mm, 12mm
<b>STRAP TENSION</b>	Infinitely adjustable up to 60 lbs.
<b>STRAP SEAL</b>	SoniXs <sup>®</sup> Ultrasonic seal with DC brushless direct drive motor
<b>SEAL LOCATION</b>	<b>Base &amp; Pro:</b> All sizes available in Center seal or Offset
<b>MACHINE SHIPPING WEIGHT</b>	Approx. 900 Lbs.
<b>CASTERS</b>	Four swivel-lock casters. Two stabilizing feet
<b>ADDITIONAL OPTIONS</b>	<ul style="list-style-type: none"> <li>• Photo Eye (for automatic cycle start)</li> <li>• Pneumatic press and/or backstops</li> <li>• Powered belt conveyor</li> <li>• Powered roller conveyor</li> <li>• Multiple entry/exit table lengths for belt conveyor</li> <li>• Light tower</li> <li>• Adjustable side guides</li> <li>• Remote program access (Pro model)</li> <li>• Dual dispenser</li> <li>• Automatic coil change</li> </ul>



Please visit our website for more information about Mosca's SoniXs<sup>®</sup> technology.

U.S.A, Latin America and Caribbean:

**EAM-Mosca Corporation**

675 Jaycee Drive  
Hazle Township, PA 18202  
800.456.3420  
570.459.3426  
570.455.2442  
info@eammosca.com  
www.eammosca.com

Canada:

**EAM-Mosca Canada Ltd.**

170 William Smith Drive  
Whitby, Ontario, L1N 9N3  
800.633.6392  
905.665.8225  
905.665.8188  
info@eammosca.com  
www.eammosca.com



215-631-9700  
777-M Schwab Rd  
Hatfield, PA 19440  
www.wexlerpackaging.com