

TRP-5

Strapping Machine



- High Speed
- Low Cost
- Full Automation

Innovative Strapping Systems

TRP-5

Standard Features

Low-cost automation! The TRP-5 operates at speeds of up to 50 cycles per minute or 30 bundles maximum per minute depending on package characteristics, machine size and accessories.

- Compact 24" depth fits into most production lines; capable of upstream/downstream integration with material handling systems.
- System features a variable speed conveyor and adjustable strapping placement of one or two straps per package.
- DC brushless direct drive sealer eliminates all belts, chains, pulleys, sprockets, clutches and brakes. The number of components, their related spare parts costs and maintenance time are drastically reduced. Machine productivity is correspondingly increased.
- The highly refined strapping head features automatic strap threading for fast coil loading; and quick, tool-less cleaning with snap-apart internal strap guides.
- The electronically controlled heat-weld sealing system provides consistent, high-strength seal joints in any environment.
- The fully enclosed one-piece strap track provides positive strap delivery for exceptional feed reliability. Additional features include automatic strap loop ejection if the machine is cycled without a package in place. Automatic coil-end detection and ejection further enhance system reliability.
- Interlocked, hinged tabletop allows for fast, safe access to the sealer for cleaning or troubleshooting.
- End loading coil dispenser slides easily into coil change position and tucks into cabinet for safe operation.
- Uses lowest cost strapping available in widths of 5mm to 12mm. Simple, external controls adjust strap tension to meet varying package demands.
- Options include a double pneumatic compression device to help stabilize products during the strapping cycle; side conditioners, backstops (inquire for quotation); and signal lights for system faults or readiness. New on the TRP-5 are optional controls for automatic strapping of postal tubs and trays; and powered roller conveyor table.

Technical Data

Production Rate: 30 bundles maximum per minute depending on package characteristics, machine size and accessories.

Strap: 5mm, 6mm, 8mm, 9mm, and 12mm (1/2")

Machine Grade Polypropylene

Track Sizes: 600 x 500 (23.6" x 19.7"); 800 x 600 (31.5" x 23.6"); 1000 x 800 (39.37" x 31.5") (w x h)

Electrical Requirements: 220/440V, 3 Phase

Strap Tension: DC Motor-Controlled, infinitely adjustable up to 80 Pounds

Strap Seal: Heat-Seal, Electronic Temperature Controlled

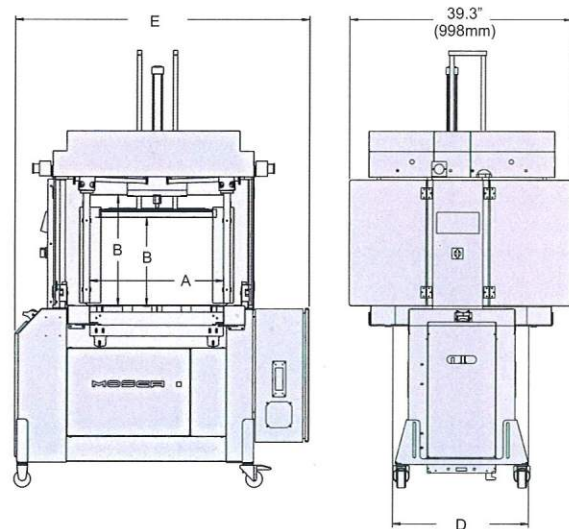
Machine Color: Mosca Blue RAL 5010

Machine Shipping Weight: Approximately 900 - 1,100 Lbs. depending upon model.

Options:

- 3-Tier Light Tower for 'Ready', 'Trouble' and 'Low Strap' (not available with additional options.)
- Pneumatic Press • Pneumatic Side Conditioners
- Air Requirements for above: 3 CFI @ 80 PSI
- Backstops
- Low Frame with Outriggers
- 'Low Strap' Light Tower (available alone; with press; with backstops; or with both press and backstops.)
- Controls for automatic strapping of postal tubs and trays.
- Powered Roller Conveyor Table

Note: PLC capacity is limited. Not all option combinations are feasible. Must be quoted on request.



Model	A		B Without Press		B With Press		C*		D		E		F**	
	Inches	mm	Inches	mm	Inches	mm	Inches	mm	Inches	mm	Inches	mm	Inches	mm
600	23.6"	600	19.7"	500	15.7"	400	32.3 - 36.4"	820 - 924	24"	610	50.4"	1280	74"	1880
800	31.52"	800	23.6"	600	19.7"	500	32.3 - 36.4"	820 - 924	24"	610	58.3"	1480	82"	2082
1000	39.37"	1000	31.50"	800	27.56"	700	32.3 - 36.4"	820 - 924	24"	610	66.14"	1680	89.76"	2278

*Low Frame Option with Outriggers: 28.75" - 32.75" (730 - 835mm)

** Measurement if strap coil drawer is fully opened.



777-M Schwab Road • Hatfield, PA 19440 • USA
Phone: 215.631.9700 • Fax: 215.631.9705

www.wexlerpackaging.com